



**ANTRIEBSELEMENTE**

Foundation blocks DIN 799



**If performance is required**

[www.luetgert-antriebe.de](http://www.luetgert-antriebe.de)

# FOUNDATION BLOCKS

## DIN 799

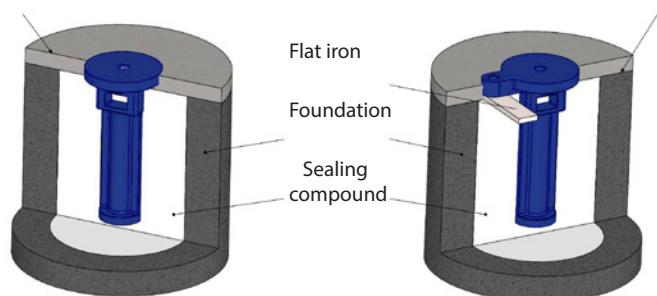
Foundation blocks are used for the permanent fastening of machines, plants and motor tension rails. They ensure a safe and stable stand on the industrial floor. The material used is EN-GJL 200 according to DIN 1561. The graphite embedded in the grey cast iron has a vibration-damping effect and helps to prevent vibrations. The use of these components is essential in the paper, printing and graphics industries.

Common sizes are available from stock. Delivery includes screws.

### Designs

Elevation of final foundation

Elevation of prepared foundation



Shape A

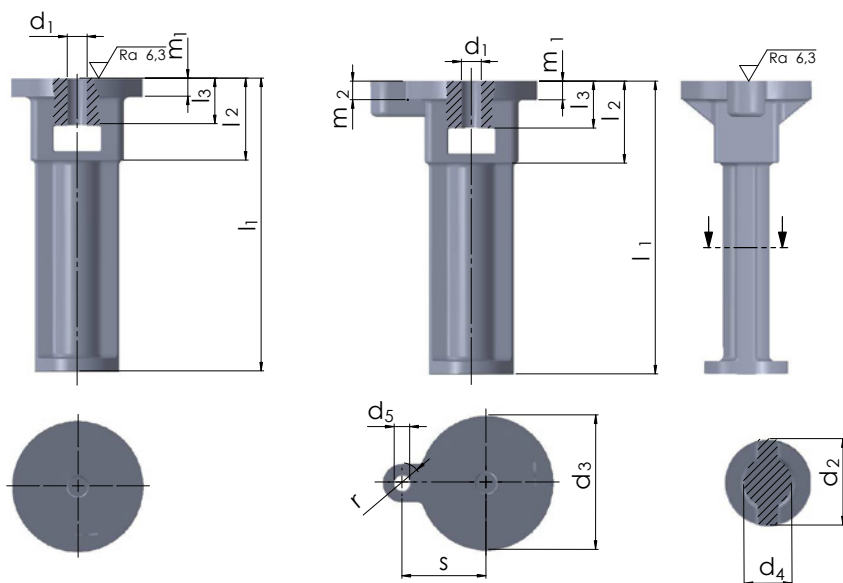
Shape B

#### Shape A

Standard desing without cams

#### Shape B

Design with cams for thread and adjusting screw



### Connection dimensions for machine fastening in the floor

d <sub>1</sub>	l <sub>1</sub>	d <sub>2</sub>	d <sub>3</sub>	d <sub>4</sub>	d <sub>5</sub>	l <sub>2</sub>	l <sub>3</sub>	r	m <sub>1</sub>	m <sub>2</sub>	s	Shape A weight / piece	Shape B weight / piece
M 10	125	36	56	20	M 8	35	20	12	8	15	35	0,6	0,75
M 12	150	40	72	22	M 12	40	22	14	10	20	50	1,0*	1,1
M 16	180	45	85	25	M 12	50	25	14	12	20	62	1,6	1,7
M 20	200	50	100	28	M 12	56	28	14	14	20	73	2,4	2,5
M 24	250	64	125	36	M 16	70	36	20	18	25	80	4,0*	4,5
M 30	280	72	140	40	M 16	79	40	25	20	25*	100	6,5*	6,5*
M 36	335*	90	180	50	M 20	100	50	30	25	25*	115	11,0*	12,0*
M 42	425	112	225	60	M 20	120	60	30	28	30*	140	21,0	21,5
M 48	475	125	250	64	M 24	129	64	30	30	32*	150	31,0*	31,0

\* deviate from DIN 799

# PRODUCT OVERVIEW

## EXTRACT

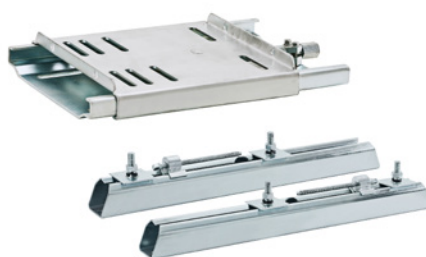
### Drive pulleys

V-belt pulleys | V-belt pulleys | Flywheels | Grid pulleys | Timing belt pulleys | Rubberized Pulleys | Split pulleys | Aluminium pulley



### Supplies for drive belts

TaperLock clamping bushes | Motor mounting systems | V-belts / Drive belts | V-belt metrology | Rubber suspension units  
Oscillating mountings | Tensioner devices | Foundation blocks | Shafts and rolls



**More information required?**

[www.luetgert-antriebe.de](http://www.luetgert-antriebe.de)



Lütgert & Co. GmbH  
Friedrichsdorfer Straße 48  
33335 Gütersloh | Germany

Phone: +49 5241 7407-0  
vertrieb@luetgert-antriebe.de  
www.luetgert-antriebe.de

MADE IN GERMANY